

# TLCK EQUIPMENT

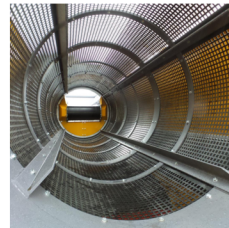
**REPAIR SERVICE LTD.**

*Sales, Service & Rentals of Aggregate Equipment*

**TLCK.ca**

## BARFORD T516 TROMMEL SCREENER

- 5'x16' DIRECT DRIVE DRUM
- VARIABLE SCREENING ANGLE & SPEED
- CAT 3.6 134HP ENGINE
- HYDRAULIC FOLDING FINES AND OVERSIZE CONVEYOR
- FULLY AUTOMATIC WIRELESS FUNCTION AVAILABLE



**PROUDLY SERVING  
ONTARIO FOR OVER 25  
YEARS**



 **BARFORD<sup>®</sup>**



613-292-4719  
613-796-TLCK



tlckequipment@gmail.com



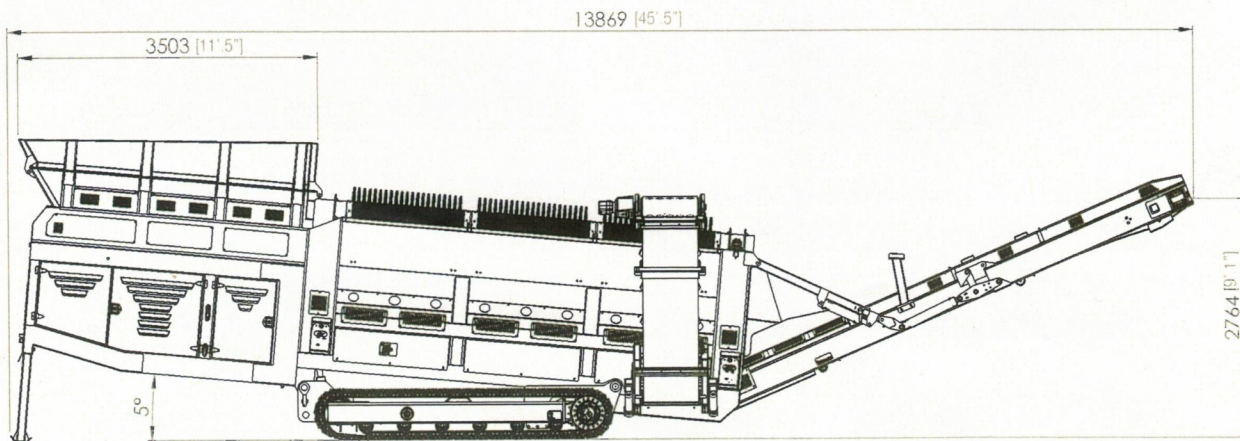
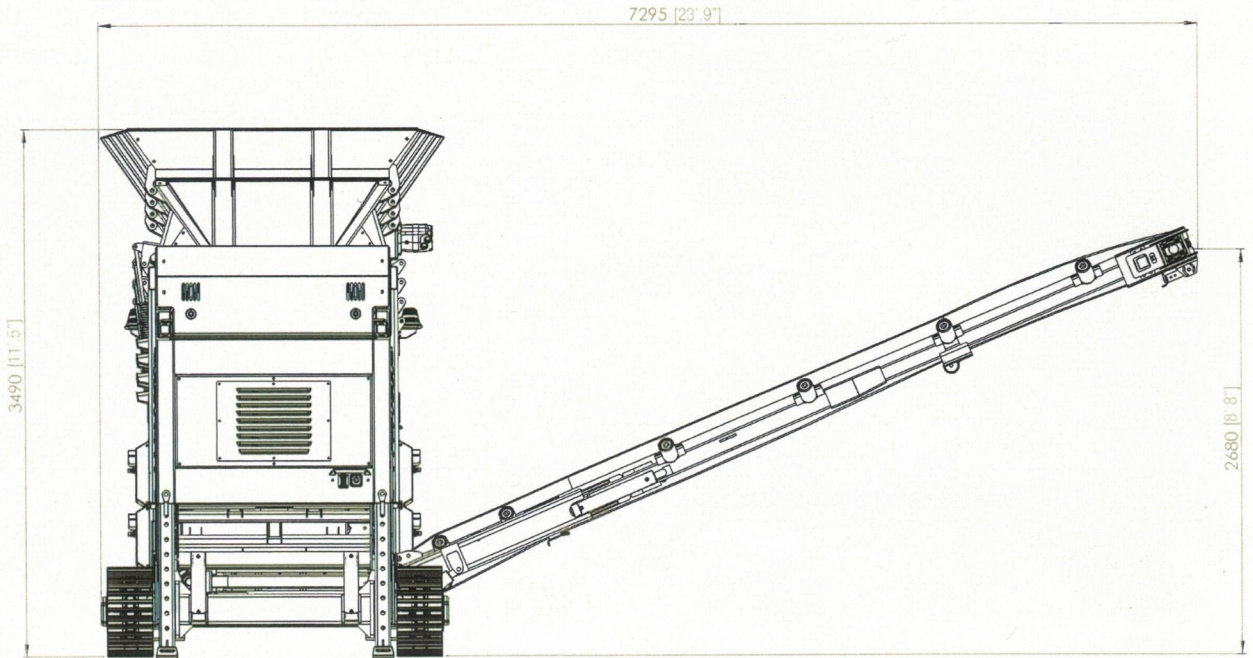
www.tlck.ca

# TLCK EQUIPMENT

**REPAIR SERVICE LTD.**

*Sales, Service & Rentals of Aggregate Equipment*

**TLCK.ca**



Weight: 17,000kg/37,500lbs